



ASSEMBLY INSTRUCTIONS

ROUND POOLS

MODEL CASTEL

Dear Customer

Congratulations! You have purchased a pool of superior quality and durability. To achieve the best possible results, follow the instructions carefully. Failure to follow the installation procedures may result in damage to your pool or property and void your warranty. We recommend that you make a preliminary study of the instruction booklet to familiarize yourself with the different parts of your pool. Make sure that you understand each step thoroughly before you begin assembling.

We wish you a most pleasant and refreshing summer.

We strongly recommend having your pool installed by a professional.

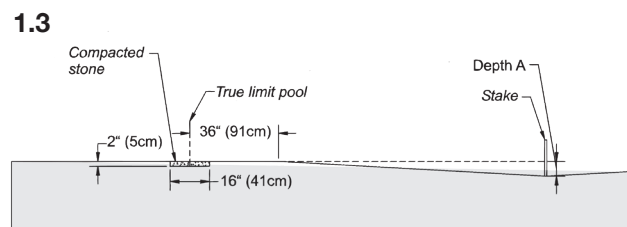
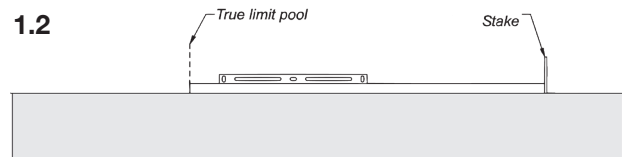
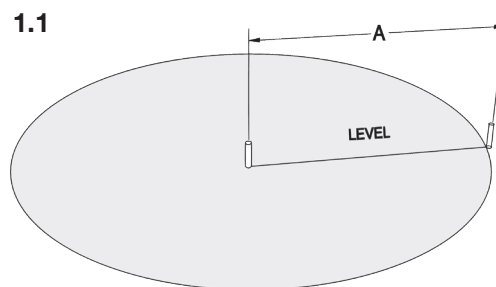
WARNING : Be sure you have read and understand the 'Safety Information' sheets before you begin your pool installation.



WARNING : For your safety, your pool is not designed for diving and/or jumping head first. Please do not dive. Diving may result permanent injury or death.

1. SITE PREPARATION

- Choose the best firm ground for your pool. Drive a stake at the center of the chosen pool site. With a string and another stick, draw a circle that is 6 inches (15 cm) longer in radius than your pool. Refer to the (figure 1.1) and the table A below. Remove the grass within this circle and leave the stake at the center (figure 1.2).
- Do not forget Taiga Zone will not be responsible for any damages caused to your pool if it is installed on soft or non-levelled ground. Do not install pool on asphalt, tar, wood, rock or grass covered areas.
- Do not add material or soil to level your pool site. You must dig down to remove the highest points of your site.
- Any added soil won't give the needed strenght to support the pool's weight. The entire pool area must be completely levelled.
- Level it using a carpenter's level and a straight board nailed to the center stake (figure 1.2).
- Have the straight board the same length as the radius of your pool. Make sure the entire bottom is smooth and free of any foreign material, such as wood or rocks.
- After you levelled the surface, you can dig to the depth specified in the table A below and as shown in (figure 1.3).
- Add 2" (5 cm) of compacted crushed stone into hole at pool limit and add concrete blocks (16"X 8"X 2") on the crushed stone (figure 1.3).



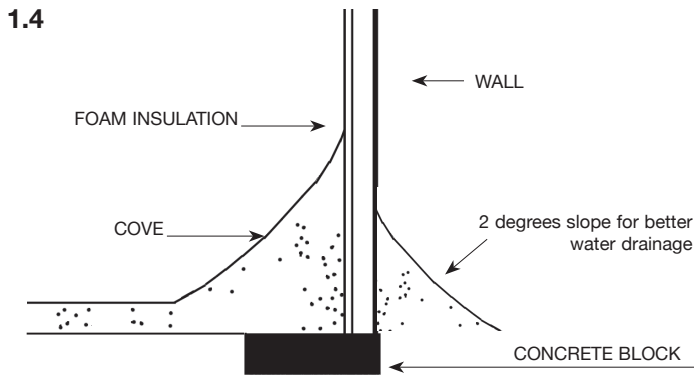
Pool Diameter	Radius A	Depth A
9' (2,74m)	5'-5" (1,65m)	6" (15 cm)
11'-0" (3,35m)	6'-6" (1,98m)	6" (15 cm)
13'-0" (3,96 m)	7'-0" (2,13 m)	6" (15 cm)
15'-0" (4,57 m)	8'-3" (2,5 m)	6" (15 cm)
18'-0" (5,48 m)	9'-6" (2,9 m)	6" (15 cm)
20'-0" (6,09 m)	10'-9" (3,28 m)	6" (15 cm)
23'-0" (7,01 m)	12'-3" (3,73 m)	6" (15 cm)
26'-0" (7,92 m)	13'-6" (4,11 m)	6" (15 cm)

The above table indicates the diameter of your pool (A) and the necessary clearance needed for the crushed stone (B).

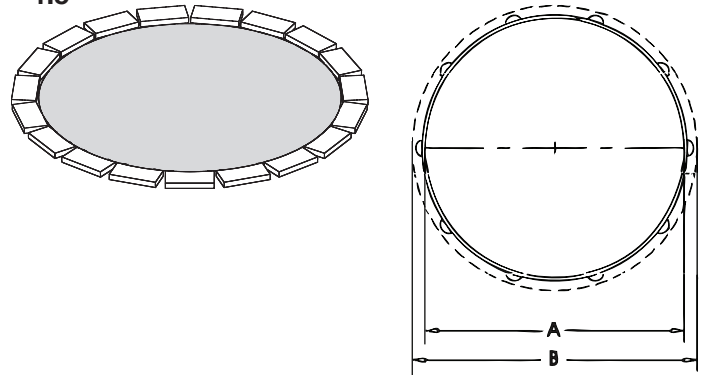
Add concrete blocks (16" x 8" x 2") on the crushed stone so that the wall is sitting in the middle of the blocks (figure 1.5).

	9'	11'	13'	15'	18'	20'	23'	26'
A	9'-5" 2,87 m	11'-5 9/16" 3,35 m	12'-8 13/16" 3,88 m	15'-3 13/16" 4,66 m	17'-10" 5,44 m	20'-4 7/16" 6,21 m	22'-11" 7,76 m	25'-5 9/16" 7,76 m
B	11'-5" 3,50 m	13'-5 9/16" 4,29 m	14'-8 13/16" 4,29 m	16'-7" 5,07 m	19'-2" 5,84 m	21'-8" 6,62 m	24'-3" 7,39 m	26'-9" 8,17 m

In order to ensure proper water drainage around the pool, erect a two-degree slope around the perimeter of the pool (See figure below). The slope is very important. (figure 1.4). No grass, no mulch around the perimeter of the pool. River stones suggested.



1.5



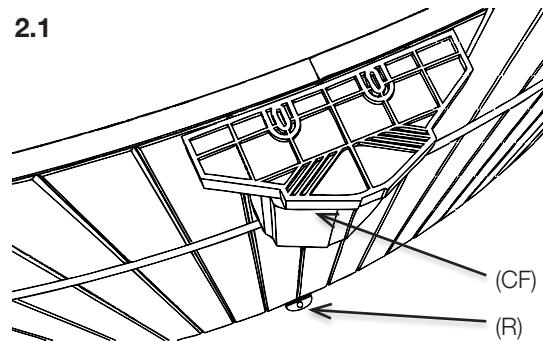
2. ASSEMBLY OF FLEXIBLE PANELS

Use the panel clips (R) and screws (V) to tie together the panels at the base. For the top, attach the columns (CF) with the screws (W). (figure 2.1)

Column screw tightening should be done manually, using a screwdriver.

It is important to plan the location of your filter system ahead of time, and to install the filter panel in the right place.

2.1



3. STRAPS INSTALLATION

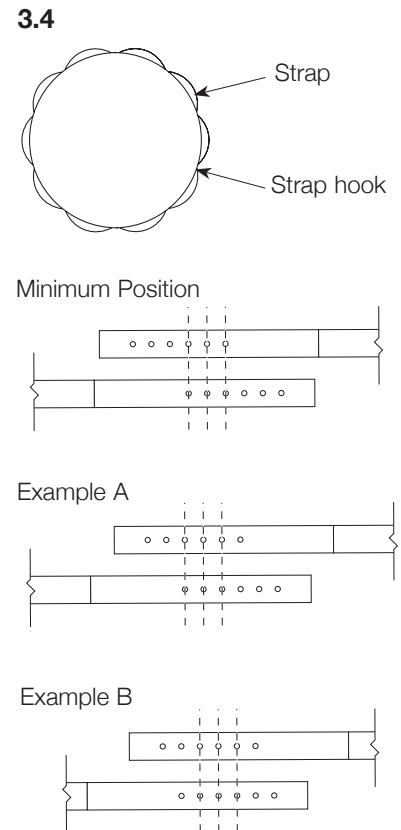
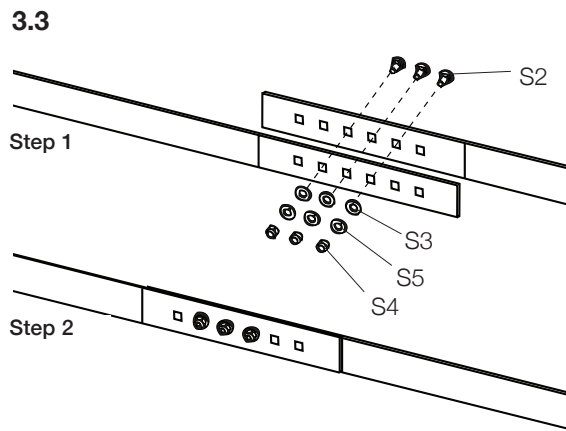
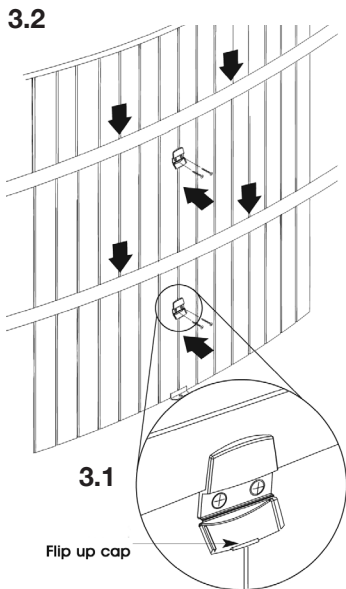
- Install the lower strap first. To do so, screw each strap hook with 2 (V) screws at 9 in.(24 cm) from the bottom of the wall, aligned with each column (CF). There are pre-drilled holes on the left edge of each panel (figure 3.2).
- Insert the strap in each of the strap hooks (L) and flip the screw cover from the support to hide the screws.(figure 3.1). When the strap is installed, fasten together using the necessary hardware. See steps 1 and 2 in (figure 3.3). Note that it is very important that the assembly of the straps should be symmetrical.
- During the assembly, do not try to pull the strap. If the holes are not aligned, you can choose a looser assembly. The tension in the strap will be created when the pool is full. Install the second and the third strap using the same method.

IMPORTANT NOTICE - BELT INSTALLATION

Install the straps at their minimum position by manually removing all the slack around the pool. Never use force (screwdriver or any mechanical means) to align the holes in the strap assembly. If the straps cannot reach their minimum positions, use the next holes as shown in example A and B, or looser, until the straps can be attached. Always use 3 bolts. Ensure that the top and bottom straps are attached at the same hole positions. Tighten the nuts until the lock washers are completely compressed and there is no slack between the straps.

If necessary, distribute the slack in the straps throughout the pool before filling with water. (figure 3.4)

Always use 3 bolts. THE MANUFACTURER DECLINES ALL LIABILITY FOR DAMAGES RESULTING FROM FAILURE TO FOLLOW THIS STEP OF THE PROCEDURE.

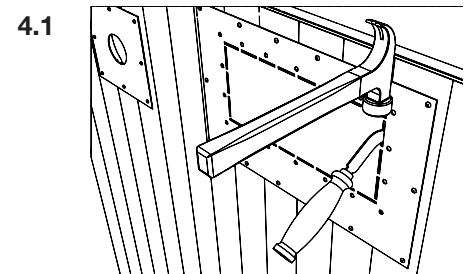


Part list for the fastening system	
S2:	Carriage bolt
S3:	Washer
S4:	Nylon insert locknut
S5:	Lockwasher

4. ATTACHMENT OF THE SKIMMER PLATE

Using a hammer and a chisel, remove the center of the skimmer opening. Refer to (figure 4.1) for visual support.

The skimmer will need to be installed after the liner. Refer to the skimmer's assembly instructions in order to ensure a proper installation.

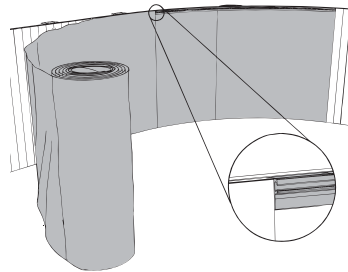


5. FOAM INSTALLATION

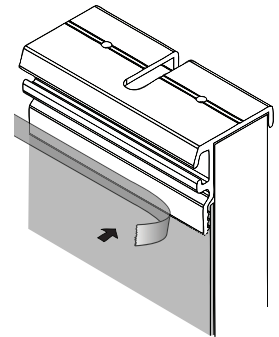
As indicated in (figure 5.1), unroll the foam on the wall and position it with the help of the anchorage fitting. Affix the foam with adhesive tape (figure 5.2).

Once the foam is attached, cut the foam at the skimmer and backflow while taking special care to leave foam covering the screws; cover once again with another strip of adhesive tape.

5.1



5.2

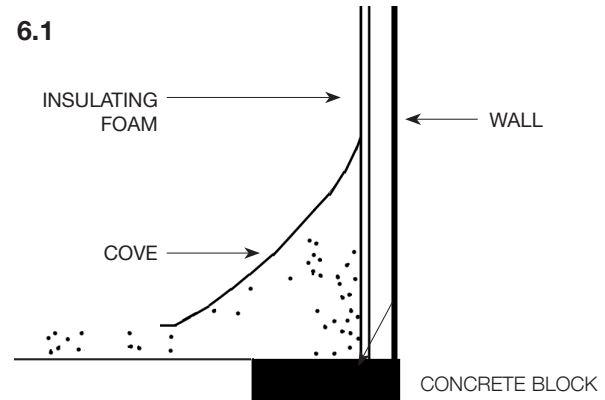


6. SAND BOTTOM PREPARATION

You may now spread 2-3 in.(7,5 cm) of building sand on the bottom of the pool and shape a 6 in.(15 cm) cove. Slant at the base of the wall. While shaping the cove, make sure to cover the insulation foam at the base of the pool in such a way as to keep it taut. **DO NOT USE FINE SAND**, or any other product referred to as a pool base, that may damage the vinyl liner.

The cove is very important. THE MANUFACTURER DECLINES ALL LIABILITY FOR DAMAGES RESULTING FROM FAILURE TO FOLLOW THIS STEP OF THE PROCEDURE.

6.1



7. LINER INSTALLATION

Place the folded liner at the center of the pool. Remove your shoes to avoid damaging the liner. Carefully unfold the liner and bring the bottom seam along the base of the wall (figure 7.1). Make sure the patterned side is facing upward.

Lift the edges of the liner and insert into the notch of the retaining section as you go along (figure 7.2).

Insert the hose of the vacuum cleaner in the backflow plate hole, between the wall and the liner. The end of the hole has to be at approximately 12 in. (30 cm) from the bottom of the pool. Start the vacuum to suck the air. Before starting to fill the pool, you must:

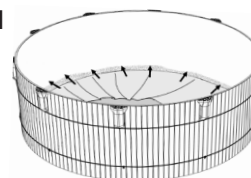
- Check that there are no folds;
- make sure that there are no apparent defects.

You may begin filling the pool. Remove the vacuum cleaner once the water is 4 in (10 cm) deep in the shallow part of the pool.

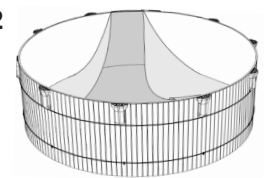
REMEMBER TO :

- Pull the liner firmly but gently;
- Avoid pulling the liner by the sealing joints;
- Avoid damaging the cove or leaving air trapped between the liner and cove;
- Equally distribute any excess liner along the whole circumference of the wall.

7.1



7.2



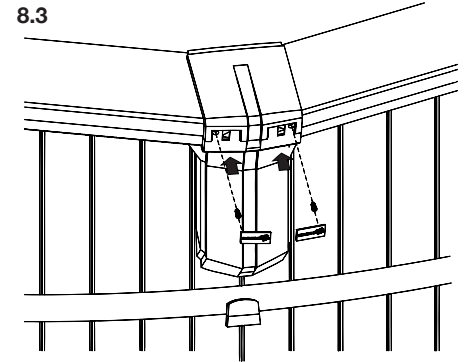
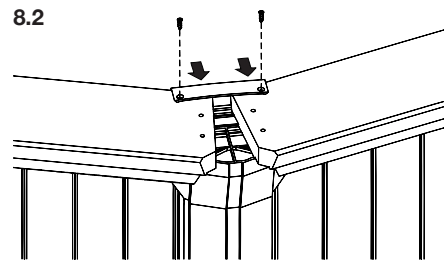
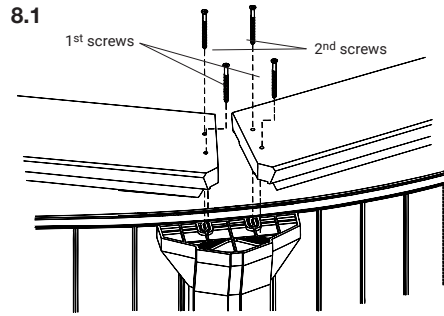
8. LEDGES AND CAPS INSTALLATION

Position the ledge all around the assembled pool. Scew them permanently to the columns with screws (Y).

As illustrated in (figure 8.1), first attach the top rail at the front. Once these are all placed, screw in the sections at the back.

Carefully insert the rear part of the seat cap and attach with screws (X) (figure 8.2). Then insert the front section taking care to align it with the column, and attach it in the same manner.

At the very last, insert the seat cap logos to hide the assembly screws. Note that there is a left clip and a right clip. You will recognize these by the letters R for right and L for left, inscribed on the back of each clip. (figure 8.3).



9. SAFETY LABELS INSTALLATION

The homeowner is responsible to install all safety labels.

SSE Labels (4) :

The safety labels shall be visible from any potential entry points of the pool. Also, make sure to install safety labels at all access points of your yard.



PAPHT Label (1) :

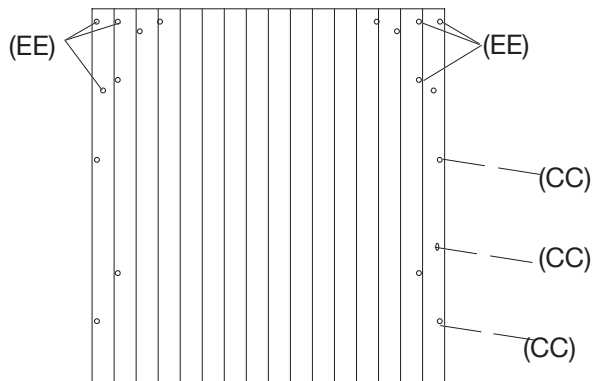
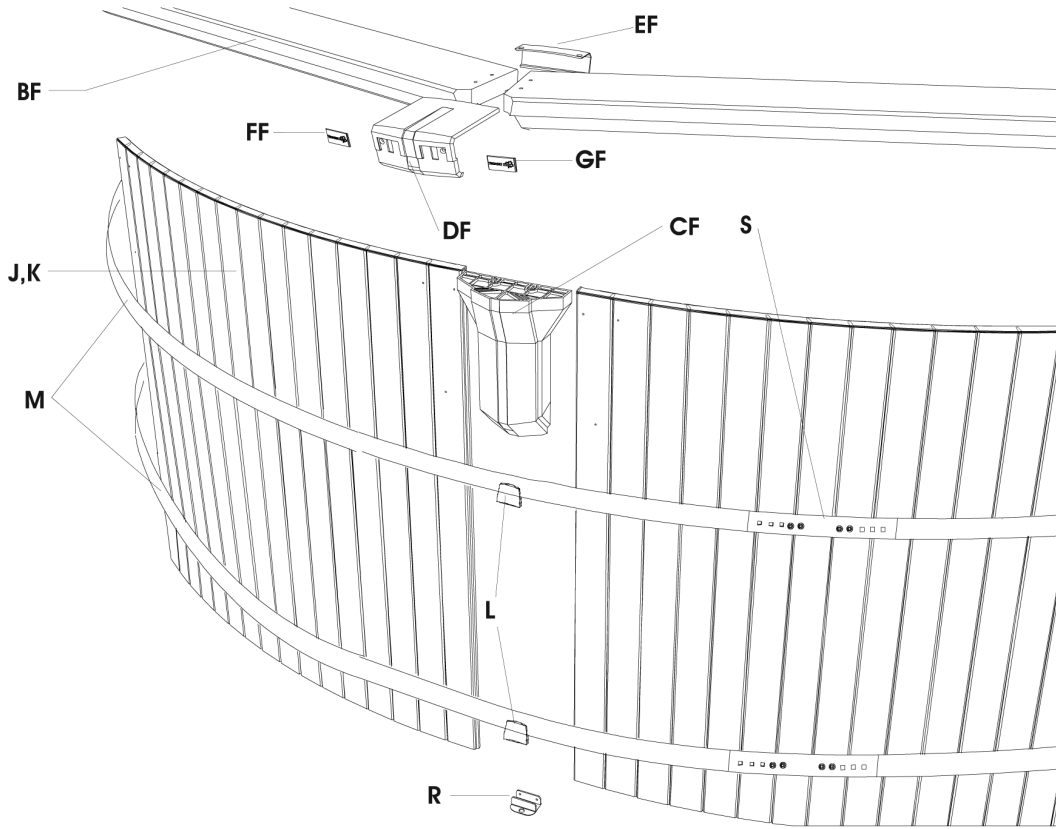
The safety label shall be placed at the entrance of the pool, visible and never covered.



IMPORTANT:

If you require additional labels, please contact us at www.taigapools.com/ contact or by phone 1-888-0447.

EXPLODED VIEW



UNIVERSAL PANEL

- EE) Column
- CC) Strap Supports

PARTS LIST

#	CODE	DESCRIPTION	9'	11'	13'	15'	18'	20'	23'	26'
CF	TB3100F	RESIN COLUMN	12	14	10	12	14	16	18	20
EF / DF	TB3120F	RESIN SEAT CAP 2 PCS	12	14	10	12	14	16	18	20
J	PPWFLEX30	FLEXIBLE PANEL 30"	10	12	0	0	0	0	0	0
J	PPWFLEX48	FLEXIBLE PANEL 48"	0	0	9	11	13	15	17	19
K	PPWECUM30	SKIMMER PANEL 30"	1	1	0	0	0	0	0	0
I	PPWRETOUR30	INTEL PANEL 30"	1	1	0	0	0	0	0	0
K	PPWECUM48	SKIMMER/INTEL PANEL 48"	0	0	1	1	1	1	1	1
BF	MPWR48	LEDGES 48"	0	0	10	12	14	16	18	20
BF	MPWR30	LEDGES 30"	12	14	0	0	0	0	0	0
L	TB3114C	STRAP SUPPORT	36	42	30	36	42	48	54	60
R	TB3165C	PANEL CLIP	12	14	10	12	14	16	18	20
FF	TB3131F	LEFT LOGO	12	14	10	12	14	16	18	20
GF	TB3132F	RIGHT LOGO	12	14	10	12	14	16	18	20
X	PWVF834SS	SCREW #8 - 3/4" FLAT HEAD SOCKET TEK SS	48	56	40	48	56	64	72	80
V	PWVP834SS	SCREW #8 - 3/4" PAN HEAD SOCKET TEK SS	96	112	80	96	112	128	144	160
W	PWVP1025ZCS10	BAG X 10 SCREW #10 - 2 1/2" POWERHEAD ZC COL	0	1	1	0	1	0	1	0
W	PWVP1025ZCS25	BAG X 25 SCREW #10 - 2 1/2" POWERHEAD ZC COL	3	3	2	3	3	4	4	5
Y	8501RS50	PANQD TYPE AB SILVER ZC BAG OF 50 VIS #14 - 14 X 1"	1	0	1	1	0	2	2	2
Y	8501RS60	PANQD TYPE AB SILVER ZC BAG OF 60 VIS #14 - 14 X 1"	0	1	0	0	1	0	0	0
S	KB1S09	HARDWARE KIT (BOLT/NUT/WASHER (2) 9X)	1	1	1	1	1	1	1	1
M	TB3797	STRAP 9' / 31' 4 1/2"	3	0	0	0	0	0	0	0
M	TB3798	STRAP 11' / 36' 4 1/2"	0	3	0	0	0	0	0	0
M	TB3801	STRAP 13' / 41' 4 1/2"	0	0	3	0	0	0	0	0
M	TB3802	STRAP 15' / 49' 4 1/2"	0	0	0	3	0	0	0	0
M	TB3803	STRAP 18' / 57' 4 3/8"	0	0	0	0	3	0	0	0
M	TB3804	STRAP 20' / 65' 4 1/8"	0	0	0	0	0	3	0	0
M	TB3805	STRAP 23' / 73' 3 3/4"	0	0	0	0	0	0	3	0
M	TB3806	STRAP 26' / 81' 3 1/4"	0	0	0	0	0	0	0	3

SAFETY INFORMATION

SAFETY AND FUN GO TOGETHER!

Read the text below before proceeding with your pool installation



12775 BRAULT STREET, MIRABEL, QC, CANADA
PHONE : 1 888-777-0447

GENERAL INFORMATION

The pool is subject to wear and deterioration if not maintained properly. Certain types of excessive or accelerated deterioration can lead to failure of the pool's structure, which may release large quantities of water that could cause bodily harm, death and property damages.

In order to ensure proper water drainage around the pool, a 2-degree slope needs to be erected around the perimeter of the pool. THE MANUFACTURER WILL NOT BE HELD RESPONSIBLE FOR ANY LIABILITY SHOULD THIS STEP BE OMITTED.

Before installing your pool, you should check local regulations such as building codes, zoning requirements and electrical codes to determine whether a building permit or electricity permit is required to install your pool. Local regulations may ask you to make sure your backyard meets set-back requirements, install gates, barriers or other safety devices, or meet other conditions.

WARNING : All pool components, such as the filtration system, pump and heater and other objects, should be positioned so that people cannot use them to gain access to the pool or the deck. Positioning such objects too close to the pool may allow people access to the pool while unattended and may cause them serious injury or death.

We strongly recommend having your pool installed by a professional. We are not responsible for faulty installation of the pool, we are not affiliated with any pool installer and assume no responsibility or liability for the purchaser's or a professional installer's errors in installing your pool. **NO DIVING, NO JUMPING and PREVENT DROWNING** stickers are provided with your pool. These stickers must be affixed to the interior of the pool above the water line, or any place where the pool users can see them clearly before entering the pool. If you need more stickers or if some are missing, you can order these at www.taigapools.com/contact or by calling 1 888-777-0447.

Although we do not manufacture pool ladders, every pool must have an ANSI APPROVED pool ladder for proper entering and exiting of the pool. The proper use of the pool ladder by pool users is an integral part of general pool safety (Please refer to your pool ladder safety instructions).

SAFETY EQUIPEMENT

For your protection and for the safety of others, we recommend that lifesaving equipment be on hand near the pool at all times.

We recommend that you purchase one of the following: A light, strong and rigid pole, frequently referred to as a Shepard's Crook, at least twelve feet long or a throwing rope at least ¼ inch in diameter and as long as 1.5 times the maximum width or diameter of your pool. The rope should be firmly attached to a coast guard approved buoy with an outside diameter of approximately 15 inches.

LADDER SAFETY

Although we do not manufacture ladders, the proper use of the ladder by pool users is an integral part of general pool safety.

NSPI standards require all pools to have an approved ladder attached for proper access to and from the pool. The purchaser should follow the pool ladder manufacturer's installation instructions.

Please follow these rules regarding the use of the ladder:

- Only one person on the ladder at a time.
- The user should face the ladder whether going in or out of the pool.
- NO DIVING or JUMPING from the ladder steps or the ladder's platform.
- Check all nuts and bolts regularly to make sure the ladder is safe.
- Inform others of the rules pertaining to the use of ladder and steps.

USAGE SAFETY INFORMATION

- 1 • Share safety instructions with family, friends, pool watchers or neighbors.
- 2 • The installer of the vinyl liner shall affix on the original or replacement liner, or on the pool structure, all safety signs in accordance with the manufacturer's instructions. The safety labels shall be placed above the water line.
- 3 • Never dive, jump or slide into an above ground swimming pool. Diving, jumping or sliding may result in permanent injury or death. Use a pool ladder or step to enter the pool smoothly, feet first. The owner must follow the ladder manufacturer's instruction and safety warning.
- 4 • Never swim alone.
- 5 • Don't enter the pool if you have been using alcohol or drugs, because your reaction time may be too slow.
- 6 • Adult supervision is always necessary. Never take your eyes off children or swimmers in the water or near the pool, not even for a minute. Designate an adult "pool watcher". Make sure that you or your pool watcher are able to intervene in less than 10 seconds to save a life or avoid injury.
- 7 • If a child is missing; always look in the pool first.
- 8 • Be proactive to prevent death or disability.
- 9 • The pool owner or "pool watcher" should learn CPR (CardioPulmonary Resuscitation) and should teach children and other people how to swim.
- 10 • Winter or solar covers are not intended to act as safety barriers. The cover must be completely removed when the pool is in use. A person may become trapped under a pool cover, which may result in severe bodily injuries, including death.
- 11 • Keep rescue equipment such as life rings and reaching poles etc, by the pool. Please consult your municipality to get a rescue equipment list.
- 12 • An emergency phone number such as: nearest available police, fire, ambulance and/or rescue unit, must be visible from pool area. A functioning and/or cellular phone must be reachable within 10 seconds.
- 13 • Avoid entrapments. Suction from a pool drain or skimmer can trap an adult or children underwater:
 - Hair can get caught in faulty drain cover.
 - Arms, legs and fingers can become lodged in a suction opening.
 - Any body part that can cover a drain can cause injuries.
 - Jewelry or bathing suits can become entangled in a faulty drain cover.A pool with broken, loose, missing or non compliant drain cover should be considered as dangerous and should not be used.
- 14 • Lighting, when installed, shall be in concordance with the National Electrical Code.
- 15 • During nighttime pool use, artificial lighting must be used to illuminate pool, all safety signs, ladders, steps, deck surface and walkways.
- 16 • All electrical appliances must be kept away from the pool, and not be reachable by pool users.
- 17 • The pool deck should be kept clean and clear of objects to avoid tripping or slipping. The deck should have a non-slip surface.
- 18 • Do not sit, dive, climb or stand on the top rails of the pool.
- 19 • It is important that all users be able to see the bottom of the pool. Foggy water must be cleared up before entering the pool.
- 20 • Steps and pool ladders should be secured and locked or removed when the pool is not in use. Swimming pool barriers or fences with self-latching and self-closing gates which prohibit children or other people from gaining access to the pool must be installed around the pool to avoid injury or death. The latch should be out of reach of children. Consult your municipality for more details and specifications.



INSTRUCTIONS D'ASSEMBLAGE PISCINES RONDES MODÈLE CASTEL

Cher(e) client(e),

Félicitations, vous avez fait l'acquisition d'une piscine d'une qualité et d'une durabilité supérieures. Suivez les instructions attentivement pour obtenir les meilleurs résultats possibles. Toute dérogation à la marche à suivre peut occasionner des dommages à votre piscine ou à votre propriété et annuler votre garantie. Nous vous suggérons de lire attentivement les instructions au préalable afin de vous familiariser avec les différentes pièces de votre piscine. Assurez-vous de bien comprendre toutes les étapes avant de commencer l'assemblage.

Nous vous souhaitons un été des plus agréable et rafraîchissant.

Nous recommandons fortement de faire installer votre piscine par un professionnel.

AVERTISSEMENT : Assurez-vous d'avoir lu le manuel " Information de sécurité " avant de commencer l'installation de votre piscine.



AVERTISSEMENT : Votre piscine n'est pas conçue pour le plongeon et/ou les sauts tête première. Pour votre sécurité, abstenez-vous de plonger car ceci pourrait causer de graves lésions ou entraîner la mort.

1. PRÉPARATION DU SOL

- Choisissez un sol ferme pour l'installation de votre piscine. Planter un pieu au centre de l'emplacement et à l'aide d'une corde et d'un bâton, tracer un cercle dont le rayon est de 6" (15 cm) de plus que celui de la piscine. Voir illustration 1.1 et le tableau A.
- Enlever la pelouse délimitée par le cercle en évitant de déplacer le pieu. Ne pas oublier, Taïga Zone ne sera pas responsable pour des dommages causés à votre piscine si elle est installée sur un sol mou ou non au niveau. Ne jamais ériger votre piscine sur une surface de bois, de pierre ou de gazon.
- Ne jamais remplir les espaces bas (par ajout de terre) pour niveler votre terrain, mais plutôt enlever les parties de terrain plus élevées.
- Toute addition de terre ne donnera pas la force nécessaire pour supporter le poids de la piscine qui risquerait de ne pas être au niveau.
- Niveler toute la surface délimitée par le cercle à l'aide d'un niveau de charpentier et d'un madrier droit fixé au pieu du centre (illustration 1.2).
- Utiliser un madrier de longueur égale au rayon du cercle et enlever tous les débris tels que pierres ou bouts de bois. La surface étant nivelée, creuser aux endroits montrés sur l'illustration 1.3 selon les profondeurs indiquées au tableau A.
- Ajouter 2 po. (5cm) de roches broyées et compactées à la limite de la piscine et déposer les blocs de ciments (16" x 8" x 2") sur la roche broyée (tableau A).

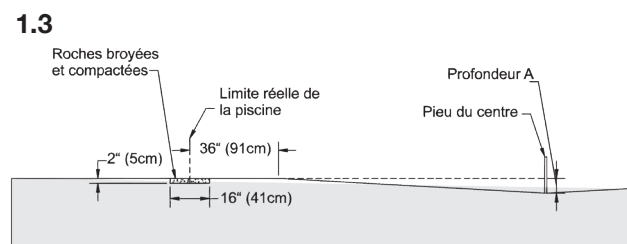
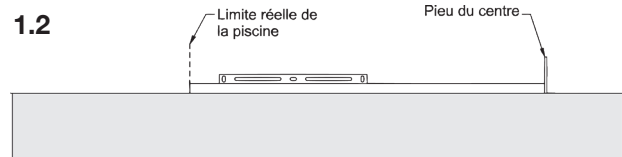
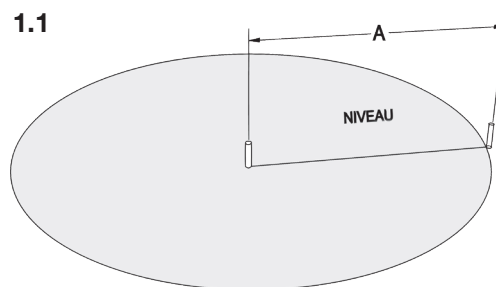
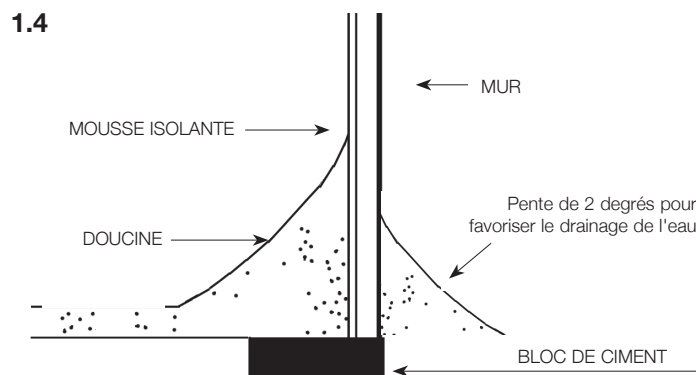


Tableau A		
Diamètre de la piscine	Rayon A	Profondeur A
9' (2,74m)	5'-5" (1,65m)	6" (15 cm)
11'-0" (3,35m)	6'-6" (1,98m)	6" (15 cm)
13'-0" (3,96 m)	7'-0" (2,13 m)	6" (15 cm)
15'-0" (4,57 m)	8'-3" (2,5 m)	6" (15 cm)
18'-0" (5,48 m)	9'-6" (2,9 m)	6" (15 cm)
20'-0" (6,09 m)	10'-9" (3,28 m)	6" (15 cm)
23'-0" (7,01 m)	12'-3" (3,73 m)	6" (15 cm)
26'-0" (7,92 m)	13'-6" (4,11 m)	6" (15 cm)

Afin de s'assurer du bon drainage du terrain au pourtour de la piscine ériger une pente de deux degrés pour favoriser le drainage de l'eau. La pente de drainage est très importante. (illustration 1.4). Ne pas mettre de gazon ni de paillis de cèdre au pourtour de la piscine. L'utilisation de la pierre de rivière est suggérée.

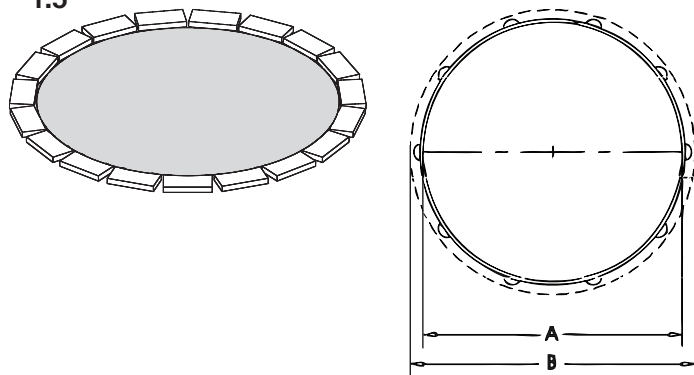


Le tableau ci-dessus indique le diamètre de votre piscine (A) ainsi que le dégagement nécessaire pour mettre la roche broyée (B).

Déposer les blocs de ciment (16" x 8" x 2") sur la roche broyée pour que le mur arrive dans le milieu des blocs (illustration 1.5).

	9'	11'	13'	15'	18'	20'	23'	26'
A	9'-5" 2,87 m	11'-5 9/16" 3,35 m	12'-8 13/16" 3,88 m	15'-3 13/16" 4,66 m	17'-10" 5,44 m	20'-4 7/16" 6,21 m	22'-11" 7,76 m	25'-5 9/16" 7,76 m
B	11'-5" 3,50 m	13'-5 9/16" 4,29 m	14'-8 13/16" 4,29 m	16'-7" 5,07 m	19'-2" 5,84 m	21'-8" 6,62 m	24'-3" 7,39 m	26'-9" 8,17 m

1.5



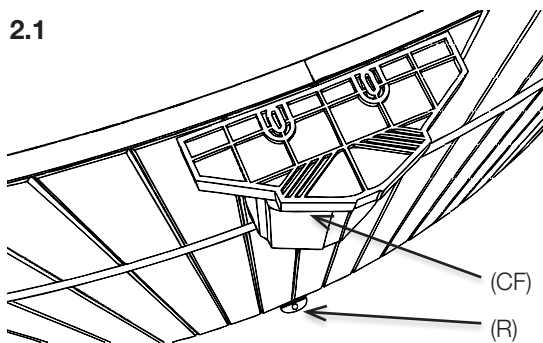
2. MONTAGE DES PANNEAUX FLEXIBLES

Utiliser les attaches de panneaux (R) et les vis (V) pour fixer ensemble le bas des panneaux. Pour le haut, fixer les colonnes (CF) à l'aide des vis (W). (illustration 2.1)

Attention le vissage final des vis de colonnes doit se faire à la main.

Il est important de prévoir l'emplacement de votre système de filtration, afin d'installer le panneau de filtration au bon endroit.

2.1



3. INSTALLATION DES COURROIES

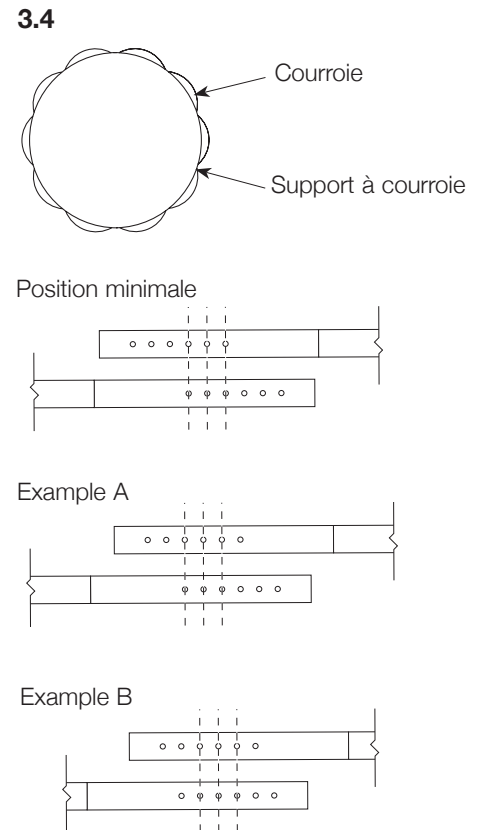
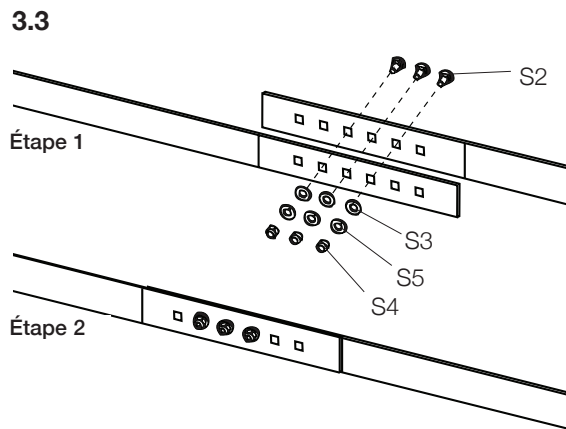
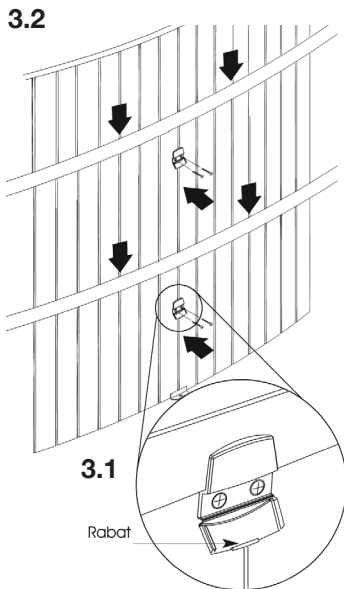
- Installer la courroie inférieure en premier. Pour ce faire, visser avec les vis (V), les supports à courroie (L) à 9 po. (24 cm) du bas de la piscine sous chacune des colonnes (CF). il y a un trou prévu à cet effet, sur la gauche de chaque panneau. (illustration 3.2)
- Glisser la courroie dans chacun des supports à courroie (L) et replier le rabat du support pour cacher les vis. (illustration 3.1). Lorsque vous avez fait le tour de la piscine, assembler la courroie avec la quincaillerie nécessaire (voir les 2 étapes à l'illustration 3.3.). Noter qu'il est très important que l'assemblage soit symétrique.
- Lors de l'assemblage, il ne faut pas essayer de tirer sur les extrémités des courroies. Si les trous ne sont pas alignés, opter pour un ajustement plus grand. La tension dans la courroie sera rétablie lors du remplissage de la piscine.
- Installer la 2e et la 3e courroie en suivant la même procédure.

AVIS IMPORTANT - INSTALLATION DES COURROIES

Tendre les courroies manuellement afin de les installer à la position minimale. N'utilisez pas de force excessive (tel que tournevis, tendeurs mécaniques, etc) pour aligner les trous de la courroie. Si vous ne pouvez atteindre la position minimale, utilisez les trous suivants (tel que la position montrée à l'exemple A et B ou plus). Utilisez toujours 3 boulons. Assurez-vous que les courroies du haut et du bas soient à la même position de boulonnage. Serrez les écrous jusqu'à ce que les rondelles auto-bloquantes soient complètement écrasées et qu'il n'y ai plus aucun jeu entre les courroies superposées.

Si nécessaire, distribuez uniformément l'excédent de la longueur des courroies autour de la piscine tel qu'illustré ci-contre avant de la remplir d'eau. (illustration 3.4)

Utilisez toujours 3 boulons. LE MANUFACTURIER DÉCLINE TOUTE RESPONSABILITÉ DÉCOULANT DE L'OMISSION DE CETTE ÉTAPE.



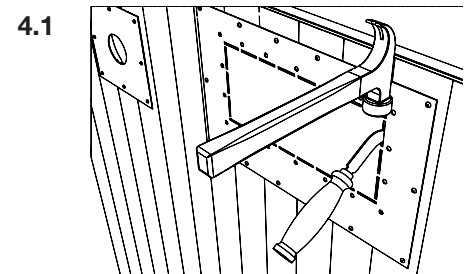
Liste de pièces pour le système d'attache

- S2: Boulon de carrosserie
- S3: Rondelle
- S4: Écrou à garniture en nylon
- S5: Rondelle auto-bloquante

4. FIXATION DE LA PLAQUE D'ÉCUMOIRE

À l'aide d'un marteau et d'un ciseau à tôle, retirer le centre de l'ouverture prévue pour l'installation de l'écumoire. Vous référer à (illustration 4.1) pour la perforation de la plaque d'écumoire.

L'écumoire devra être installée suite à l'installation de la toile. Assurez-vous de suivre les indications du fabricant de l'écumoire afin de vous assurer une installation conforme.

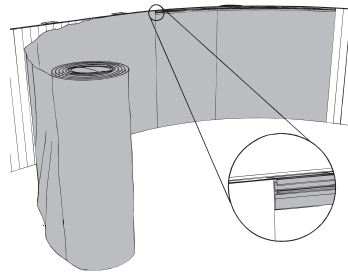


5. FIXATION DE LA MOUSSE ISOLANTE

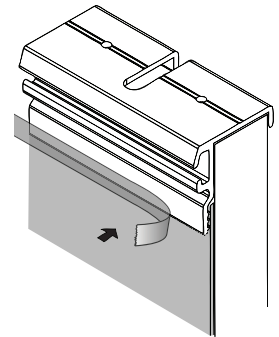
Tel qu'indiqué à (illustration 5.1), dérouler la mousse sur le mur et la positionner à l'aide du profilé d'accrochage. Fixer la mousse dans le haut avec du ruban adhésif (illustration 5.2)

Une fois la mousse fixée, la découper à l'écumoire et au retour d'eau en laissant de la mousse par-dessus les vis. Recouvrir d'une autre bande de ruban adhésif gris.

5.1



5.2

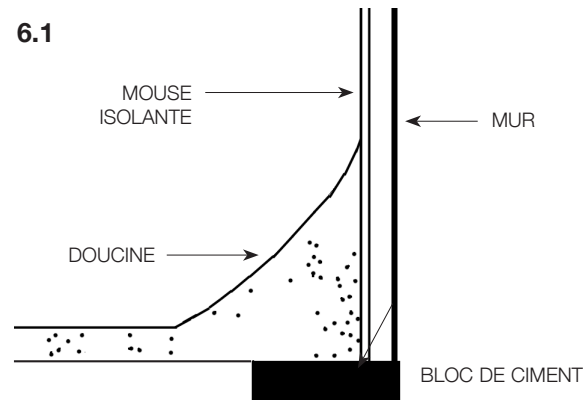


6. PRÉPARATION DU FOND DE SABLE

Vous pouvez maintenant étendre 2-3 po. (7,5 cm) de sable de maçonnerie sur la surface du fond de la piscine et faire une doucine, c'est-à-dire une pente de 6 po.(15 cm) à la base du mur. Lors de la confection de la doucine. **NE PAS UTILISER DE SABLE FIN** ou tout autre produit appelé « base de piscine » pouvant occasionner des dommages à la toile de vinyle.

La doucine est très importante. LE MANUFACTURIER DÉCLINE TOUTE RESPONSABILITÉ DÉCOULANT DE L'OMISSION DE CETTE ÉTAPE.

6.1



7. INSTALLATION DE LA TOILE

Déposer la toile pliée au centre de la piscine. Enlever vos chaussures pour ne pas endommager la toile. Déplier délicatement la toile le côté présentant des motifs vers le haut et amener la bordure de celle-ci à la base du mur (illustration 7.1).

Relever les bords de la toile et l'engager au fur et à mesure dans l'encoche du profilé d'accrochage (illustration 7.2).

Glisser le boyau de l'aspirateur dans le trou du retour d'eau. Le bout du boyau doit être à environ 12 po.(30cm) du fond de la piscine. Mettre en marche l'aspirateur afin d'enlever tout l'air présent. Il s'agit, avant de procéder au remplissage :

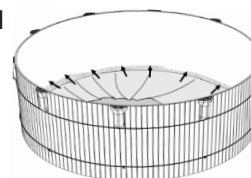
- de vérifier l'absence de plis;
- de s'assurer qu'aucun défaut n'est apparent.

Vous pouvez commencer à remplir la piscine. Enlever l'aspirateur lorsque l'eau atteindra une profondeur de 4 po. (10 cm) dans la partie peu profonde de votre piscine.

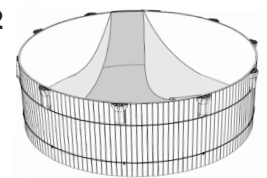
RAPPELEZ-VOUS :

- tirer la toile fermement mais délicatement ;
- éviter de tirer la toile par les joints de scellage
- ne pas endommager la doucine et ne pas laisser d'air entre la toile et la doucine
- distribuer également tout excès de toile sur toute la circonférence du mur.

7.1



7.2

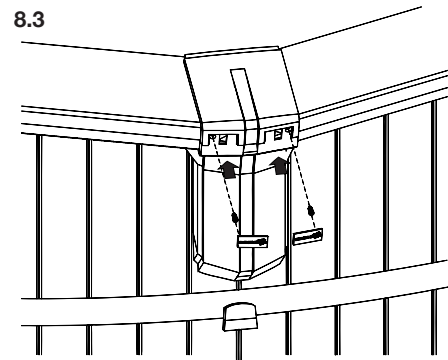
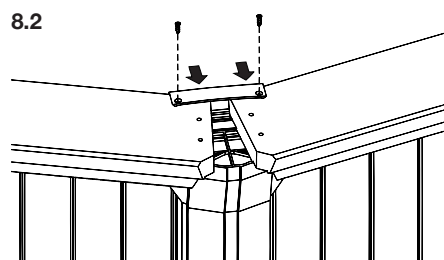
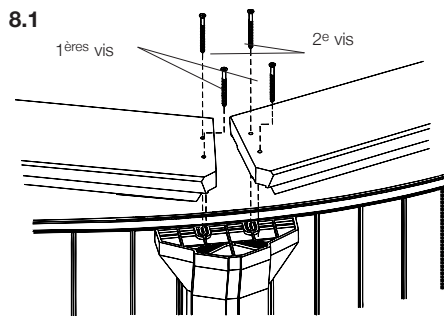


8. POSE DES SIÈGES ET DES JOINTS DE SIÈGES

Positionner les sièges sur les murs de la piscine déjà montés. Les visser de façon permanente sur les colonnes avec les vis (Y). Tel qu'illustré à (illustration 8.1), fixer la partie avant des sièges en premier et une fois qu'elles sont toutes placées, visser la partie arrière.

Insérer délicatement la partie arrière du joint de siège et la fixer avec des vis (X) (illustration 8.2). Insérer par la suite la partie avant en prenant bien soin de l'aligner avec la colonne et la fixer de la même façon.

À la toute fin, insérer les logos des joints de sièges afin de cacher les vis de fixation. Remarquez qu'il y a une clip gauche et une clip droite. Vous les reconnaîtrez par les lettres R pour droit et L pour gauche, inscrites à l'endos de chacune des clips (illustration 8.3)



9. INSTALLATION DES ÉTIQUETTES

Le propriétaire est responsable de l'installation de toutes les étiquettes de sécurité.

Étiquettes SSE (4) :

Les étiquettes de sécurité doivent toujours être visibles de tous les points d'entrées potentiels de la piscine. Assurez-vous également d'installer des étiquettes de sécurité à tous les points d'accès de votre cour.



Étiquette PAPATH (1) :

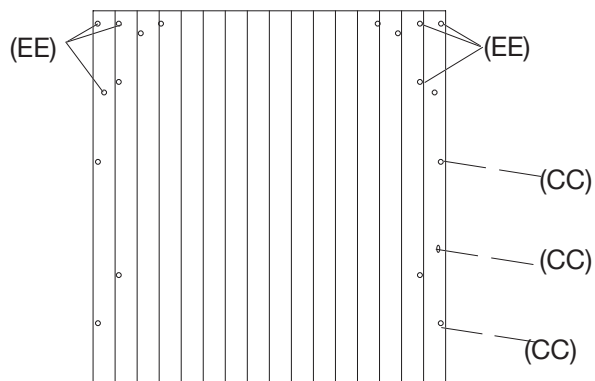
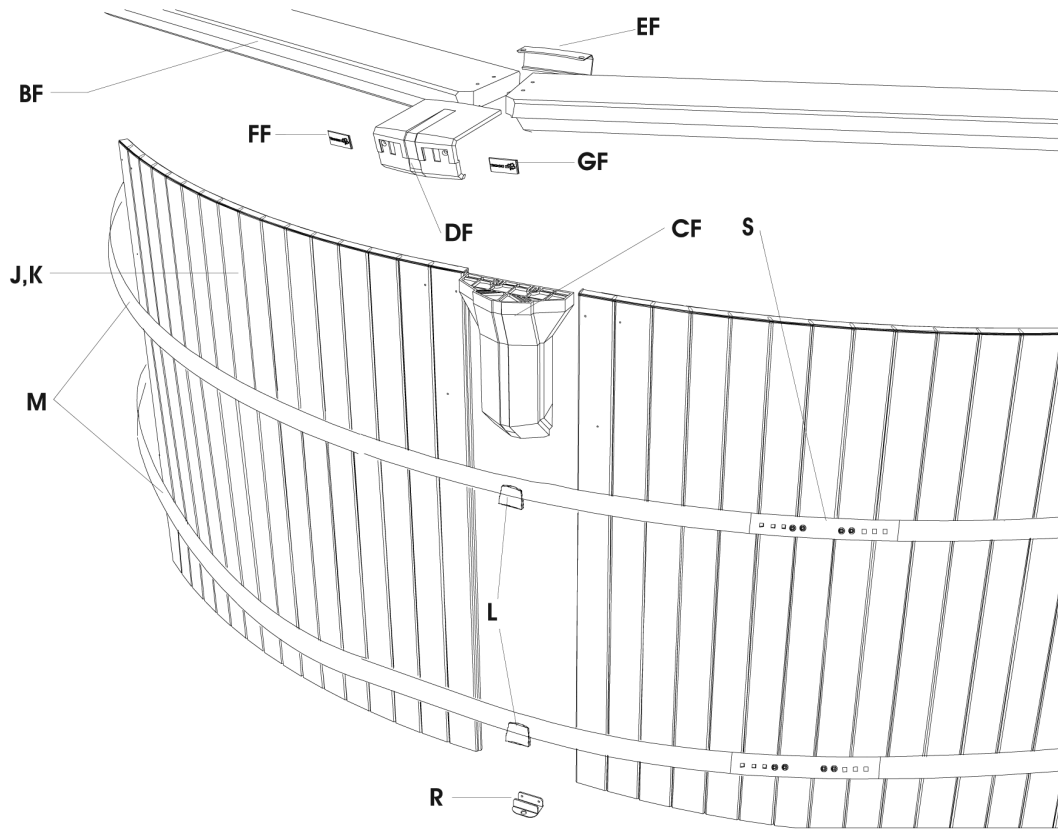
L'étiquette doit être installée à l'entrée de la piscine, visible et jamais couverte.



IMPORTANT:

Si vous désirez des étiquettes supplémentaires, vous pouvez en commander à l'adresse www.taigapools.com/contact ou au 1-888-777-0447

VUE EXPLOSÉE



PANNEAU UNIVERSEL

- EE) Colonne
- CC) Support de courroie

LISTE DE PIÈCES

#	CODE	DESCRIPTION	9'	11'	13'	15'	18'	20'	23'	26'
CF	TB3100F	COLONNE RESINE	12	14	10	12	14	16	18	20
EF / DF	TB3120F	JOINT DE SIÈGE RESINE	12	14	10	12	14	16	18	20
J	PPWFLEX30	PANNEAU FLEXIBLE 30"	10	12	0	0	0	0	0	0
J	PPWFLEX48	PANNEAU FLEXIBLE 48"	0	0	9	11	13	15	17	19
K	PPWECUM30	PANNEAU ÉCUMOIRE 30"	1	1	0	0	0	0	0	0
I	PPWRETOUR30	PANNEAU RETOUR D'EAU 30"	1	1	0	0	0	0	0	0
K	PPWECUM48	PANNEAU ÉCUMOIRE/RETOUR D'EAU 48"	0	0	1	1	1	1	1	1
BF	MPWR48	MARGELLE 48"	0	0	10	12	14	16	18	20
BF	MPWR30	MARGELLE 30"	12	14	0	0	0	0	0	0
L	TB3114C	SUPPORT DE COURROIES	36	42	30	36	42	48	54	60
R	TB3165C	ATTACHES PANNEAU	12	14	10	12	14	16	18	20
FF	TB3131F	LOGO GAUCHE	12	14	10	12	14	16	18	20
GF	TB3132F	LOGO DROITE	12	14	10	12	14	16	18	20
X	PWVF834SS	VIS #8 - 3/4"	48	56	40	48	56	64	72	80
V	PWVP834SS	IS #8 - 3/4"	96	112	80	96	112	128	144	160
W	PWVP1025ZCS10	SAC X 10 VIS #10 - 2 1/2" AUTOFRAISEUSE	0	1	1	0	1	0	1	0
W	PWVP1025ZCS25	SAC X 25 VIS #10 - 2 1/2" AUTOFRAISEUSE	3	3	2	3	3	4	4	5
Y	8501RS50	SAC DE 50 VIS #14 - 14 X 1"	1	0	1	1	0	2	2	2
Y	8501RS60	SAC DE 60 VIS #14 - 14 X 1"	0	1	0	0	1	0	0	0
S	KB1S09	SAC QUINCAILLERIE KIT KB1	1	1	1	1	1	1	1	1
M	TB3797	COURROIE 9' / 31' 4 1/2"	3	0	0	0	0	0	0	0
M	TB3798	COURROIE 11' / 36' 4 1/2"	0	3	0	0	0	0	0	0
M	TB3801	COURROIE 13' / 41' 4 1/2"	0	0	3	0	0	0	0	0
M	TB3802	COURROIE 15' / 49' 4 1/2"	0	0	0	3	0	0	0	0
M	TB3803	COURROIE 18' / 57' 4 3/8"	0	0	0	0	3	0	0	0
M	TB3804	COURROIE 20' / 65' 4 1/8"	0	0	0	0	0	3	0	0
M	TB3805	COURROIE 23' / 73' 3 3/4"	0	0	0	0	0	0	3	0
M	TB3806	COURROIE 26' / 81' 3 1/4"	0	0	0	0	0	0	0	3

INFORMATION DE SÉCURITÉ

LE PLAISIR PASSE D'ABORD ET AVANT TOUT PAR LA SÉCURITÉ

Veillez lire ceci avant de procéder à l'installation de votre piscine hors terre.



12775 RUE BRAULT, MIRABEL, QC, CANADA
TÉLÉPHONE : 1 888-777-0447

RENSEIGNEMENT GÉNÉRAUX

Votre piscine peut être sujette à une usure et à une détérioration prématurée si elle n'est pas entretenue adéquatement. Cela pourrait entraîner une défaillance de la structure de la piscine, ce qui pourrait provoquer la libération de grandes quantités d'eau et causer des dommages, des blessures et même la mort.

Afin de s'assurer du bon drainage du terrain au pourtour de la piscine, vous devez ériger une pente de deux (2) degrés pour favoriser le drainage de l'eau. La pente de drainage est très importante. LE MANUFACTURIER DÉCLINE TOUTE RESPONSABILITÉ DÉCOULANT DE L'OMISSION DE CETTE ÉTAPE.

Avant de procéder à l'installation de votre piscine, il est conseillé de vous familiariser avec les règlements du code du bâtiment de votre localité, avec les règlements de zonage et avec le code d'électricité, puis déterminer si un permis de construction ou des travaux électriques sont nécessaires. Il se peut que les règlements de votre localité exigent que votre piscine soit installée selon certaines marges de retrait, que vous deviez installer une clôture ou autre dispositif, ou que vous vous soumettiez à d'autres exigences particulières.

AVERTISSEMENT: *Toutes les composantes tels que le système de filtration, les pompes et le chauffe-eau doivent être installées de façon à ne pas pouvoir être utilisées par quiconque pour pénétrer dans la*

piscine, ce qui risquerait de leur causer des blessures sérieuses et même entraîner la mort.

Nous ne sommes pas responsables des erreurs d'installation de votre piscine. Nous recommandons fortement de faire installer votre piscine par un professionnel. Nous ne sommes affiliés à aucun installateur de piscine et n'assumons aucune responsabilité pour les dommages résultant d'une mauvaise installation de la part de l'acheteur ou d'un installateur professionnel. L'acheteur doit superviser l'installation de la piscine afin de s'assurer que les méthodes d'installation soient conformes au manuel d'installation inclus avec votre piscine.

Des autocollants «NE PAS PLONGER NE PAS SAUTER» et «PRÉVENEZ LA NOYADE» sont fournis avec votre piscine. Ils doivent être apposés sur la paroi intérieure de votre piscine, au dessus du niveau de l'eau. Toute personne entrant dans la piscine devrait pouvoir voir ces autocollants. Si vous désirez obtenir des autocollants additionnels, vous pouvez en commander à l'adresse www.taigapools.com/contact ou au 1 888-777-0447.

Nous ne fabriquons pas d'échelles ni de marches de piscine : votre échelle ou vos marches doivent rencontrer les normes de sécurité ainsi que celles de votre région. Une utilisation sécuritaire de l'échelle de la piscine est déterminante dans la prévention d'accidents. Veuillez vous référer au manuel d'utilisateur de votre échelle pour de plus amples renseignements.

ÉQUIPEMENT DE SÉCURITÉ

Pour votre propre protection et pour la sécurité des autres, nous recommandons que le matériel de sauvetage soit accessible en tout temps.

Nous recommandons de se procurer le matériel suivant : Une perche légère, résistante et rigide d'au moins 4 mètres de long ou une corde mesurant au moins 0,6 cm de diamètre et au moins une fois et demi (1,5x) la largeur ou le diamètre de votre piscine. La corde doit être solidement attachée à une bouée d'environ 40 cm de diamètre extérieur, approuvée par la garde côtière.

CONSEILS DE SÉCURITÉ POUR L'ÉCHELLE

Malgré le fait que nous ne soyons pas fabricant d'échelles, l'utilisation appropriée d'une échelle fait partie des mesures de sécurité liées à l'utilisation de votre piscine.

Les normes ANSI exigent que toutes les piscines soient munies d'une échelle de piscine fixe et conforme, pour entrer dans la piscine et en sortir. L'acheteur doit suivre les instructions d'installation du fabricant de l'échelle de piscine.

Nous suggérons de suivre les règles suivantes lors de l'utilisation de votre échelle :

- Une seule personne à la fois sur l'échelle;
- Lorsque vous montez ou descendez de l'échelle, vous devez faire face à cette dernière;
- NE PAS PLONGER, NI SAUTER des marches ou de l'échelle;
- Vérifiez tous les écrous et boulons régulièrement pour s'assurer que l'échelle ne représente aucun danger;
- Expliquez à tous les utilisateurs les règles d'utilisation des échelles et des marches.

CONSIGNES DE SÉCURITÉ LORS DE L'UTILISATION DE LA PISCINE

- 1 • Partager les consignes de sécurité avec votre famille, vos amis, les surveillants de la piscine ou vos voisins.
- 2 • S'assurer que l'installateur de la piscine ou celui qui changera la toile de vinyle appose les autocollants de consignes de sécurité sur la toile (à l'intérieur de la piscine au dessus du niveau de l'eau ou bien en vue sur la structure extérieure de la piscine).
- 3 • Ne jamais plonger, sauter ou glisser dans une piscine hors terre, car il y a un risque élevé de frapper le fond de la piscine et de provoquer des blessures graves ou même la mort. Veuillez toujours utiliser l'échelle ou la marche de la piscine pour y entrer et en sortir, et assurez-vous de toujours descendre les pieds en premier. Pour de plus amples renseignements, veuillez consulter les instructions du fabricant de votre échelle de piscine.
- 4 • Ne jamais se baigner seul.
- 5 • Alcool et drogues ne vont pas de pair avec la sécurité. Les personnes sous l'emprise de l'alcool ou de la drogue devraient se voir interdire l'accès à la piscine.
- 6 • La surveillance des baigneurs par un adulte est requise. Ne jamais quitter les baigneurs des yeux, et ce, même pour quelques secondes. Désignez un surveillant adulte en votre absence. Assurez-vous, ainsi que votre surveillant, d'être en mesure d'intervenir en moins de 10 secondes lorsqu'un danger est imminent.
- 7 • Lors de la disparition d'un enfant, regardez toujours en premier dans la piscine.
- 8 • Soyez prévoyants et proactifs pour éviter toute noyade ou invalidité.
- 9 • Il est fortement recommandé aux propriétaires et aux surveillants de la piscine de suivre un cours de Réanimation Cardio Respiratoire (RCR).
- 10 • ATTENTION! Une toile d'hiver ou solaire n'est pas considérée comme un équipement de sécurité pouvant éviter la noyade ou une invalidité permanente. Lors de la baignade, veuillez retirer complètement la toile solaire : cette dernière pourrait empêcher le baigneur de respirer en remontant à la surface.
- 11 • Assurez-vous de posséder un équipement de secourisme adéquat, tel qu'une perche avec crochet et une bouée de sauvetage, près de la piscine.
- 12 • Assurez-vous qu'un téléphone fonctionnel soit à la portée de la main du surveillant. **NOTE** : si le service 911 n'est pas disponible dans votre localité, veuillez vous assurer que le numéro des services de secours soit facilement accessible.
- 13 • Certains accidents causés par le système de filtration peuvent survenir lors de la baignade:
 - Les cheveux peuvent être aspirés par le drain de fond ou l'écumoire. SOLUTION : assurez-vous que les baigneurs avec cheveux longs portent un bonnet de bain.
 - Les doigts, les orteils, les bijoux et le maillot de bain peuvent rester pris dans le drain de fond. SOLUTION : assurez-vous que le couvercle de drain soit présent et en bon état.
 - Le ventre, le dos ou le bas du dos peuvent rester collés sur le drain. SOLUTION : assurez-vous que la succion du drain soit partagée avec l'écumoire ou complètement fermée.
- 14 • Le circuit électrique doit être conforme au code électrique de votre région.
- 15 • Lors de baignades nocturnes, un système d'éclairage doit permettre de voir la piscine, l'échelle, les consignes de sécurité ainsi que le trajet pour se rendre à la piscine ou en sortir.
- 16 • Tout appareil électrique doit être installé à une distance suffisante de la piscine, afin que quiconque les escaladerait ne puisse atteindre la structure ou l'eau de la piscine.
- 17 • La plate-forme de la piscine (« deck », si installée) doit être libre de tout objet pouvant faire trébucher les usagers. Nous recommandons d'apposer une surface antidérapante sur la plateforme pour éviter les chutes accidentelles. Vous devez vous assurer que la plateforme soit solide et stable, en effectuant une inspection régulière des boulons et des clous.
- 18 • Ne laissez personne s'asseoir, grimper, se tenir debout, plonger ou sauter de la bordure.
- 19 • Il est important que l'on puisse voir le fond de la piscine en tout temps, sans quoi vous devrez corriger la limpidité de l'eau avant la baignade.
- 20 • La marche ou l'échelle de la piscine doit être solidement fixée à la structure de la piscine ou à la plate forme. En tout temps, un mécanisme de sécurité doit empêcher toute personne, en particulier un enfant, d'accéder à l'eau de la piscine, sinon veuillez vous assurer que l'échelle soit retirée après la baignade. Veuillez consulter votre municipalité pour connaître les règlements locaux.